


**NOTES:**

\*1. Standard 'U' lengths available: 1.2", 2", 3", 4", 6", 9", 12" & 18"

\*2. Custom 'U' length: \_\_\_\_\_

Information contained in this document is confidential and proprietary information of Telematic Controls Inc. This document may not be reproduced or distributed for any reason without express written permission of Telematic Controls Inc. All rights of design, invention and copyright are reserved.

| Rev | Description   | App.    | Date    |
|-----|---|---------|---------|
| 0   | Initial release   | Chidley | 14May98 |
| 1   | Edited text   |         | 08Apr11 |
| 2   | Changed footer note. Added confidential note. Modified Title box & Rev. Table. Fixed diam. probe. | TDH     | 03Jun13 |
|     |   |         |         |
|     |   |         |         |
|     |   |         |         |

| APPROVALS |                  | DATE    |    |  |
|-----------|------------------|---------|---|--|
| DRN       | MW               | 15MAY13 |   |  |
| CHKD      | EC               | 21MAY13 |   |  |
| APP       | TDH              | 03JUN13 | TITLE CLASSIC 810 Series<br>1 1/4" MNPT; 1.2", 2", 3", 4", 6", 9", 12" & 18" 'U'<br>Remote Sensors Assembly<br>Mounting Drawing |  |
| SIZE      | DWG NO.          | REV     |   |  |
| A3        | D15-810-RAFXXX-3 | 2       |   |  |
| SCALE NTS |                  |         | SHEET 1 OF 4  |  |

All dimensions are shown in inches with cm shown in brackets

TOLERANCES ARE:

|              |        |
|--------------|--------|
| DECIMALS     | ANGLES |
| .X ± 0.1     | ±0.5°  |
| .XX ± 0.02   |        |
| .XXX ± 0.007 |        |

| ITEM | DESCRIPTION  | PART NUMBER  | QTY |
|------|--|--------------|-----|
| *1   | Sensor ; 1 1/4" MNPT   | P02-RAFXXX   | 1   |
| 2    | Flameproof Enclosure (1 1/4" x 1" FNPT)<br>c/w Terminal Assembly | N10-100A-FGH | 1   |
| a    | <input type="checkbox"/> Glass Lens Cover - Flameproof           | M10-1G00     | 1   |
| b    | <input checked="" type="checkbox"/> Blind Cover - Flameproof     | M10-1B00     | 1   |
| 3    | Remote Terminal Assembly For Sensor Enclosure                    | 1790-0622-C  | 1   |
| 4    | Nameplate, Foil  | 2400-0002    | 1   |
| 5    | Nameplate, Overlay   | 2401-0001    | 1   |
|      |  |              |     |
|      |  |              |     |
|      |  |              |     |
|      |  |              |     |
|      |  |              |     |
|      |  |              |     |
|      |  |              |     |
|      |  |              |     |
|      |  |              |     |
|      |  |              |     |
|      |  |              |     |
|      |  |              |     |
|      |  |              |     |
|      |  |              |     |
|      |  |              |     |
|      |  |              |     |
|      |  |              |     |
|      |  |              |     |
|      |  |              |     |
|      |  |              |     |
|      |  |              |     |
|      |  |              |     |
|      |  |              |     |
|      |  |              |     |
|      |  |              |     |
|      |  |              |     |

**\*1. Sensor Assembly Selection Guide:**

P02-RAFXXX Where XXXX = Desired 'U' Length in Inches.

- |                         |                    |
|-------------------------|--------------------|
| eg. 1.2"U = P02-RAF0012 | 6"U = P02-RAF0060  |
| 2"U = P02-RAF0020       | 9"U = P02-RAF0090  |
| 3"U = P02-RAF0030       | 12"U = P02-RAF0120 |
| 4"U = P02-RAF0040       | 18"U = P02-RAF0180 |

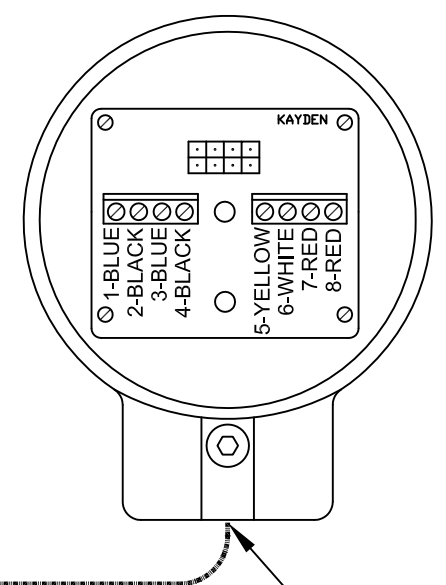
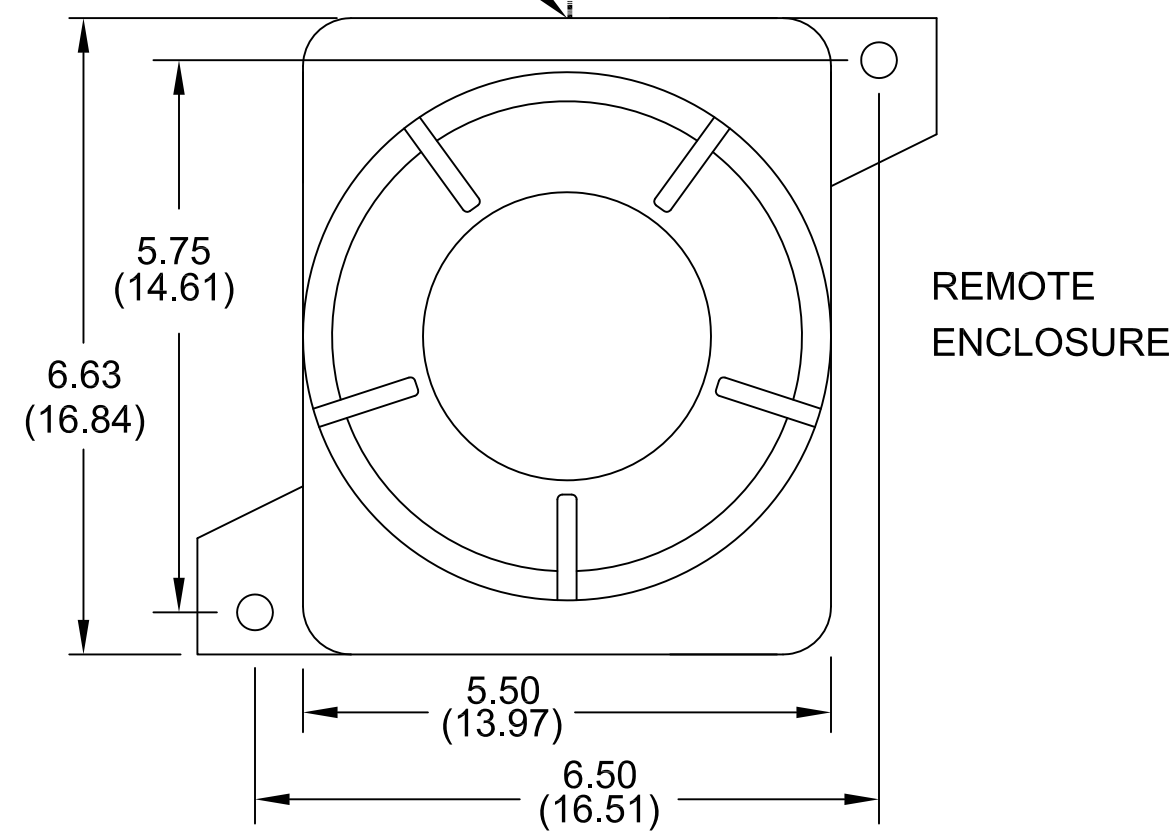
Information contained in this document is confidential and proprietary information of Telematic Controls Inc. This document may not be reproduced or distributed for any reason without express written permission of Telematic Controls Inc. All rights of design, invention and copyright are reserved.

| <table style="width: 100%; border-collapse: collapse;"> <tr> <th style="width: 5%;">Rev</th> <th style="width: 70%;">Description</th> <th style="width: 15%;">App.</th> <th style="width: 10%;">Date</th> </tr> <tr> <td>0</td> <td>Initial release</td> <td>HO</td> <td>14Jun01</td> </tr> <tr> <td>1</td> <td>Edited text</td> <td></td> <td>08Apr11</td> </tr> <tr> <td>2</td> <td>Changed footer note. Added confidential note<br/>Modified Title box &amp; Rev. Table.</td> <td>TDH</td> <td>03Jun13</td> </tr> </table> | Rev  | Description     | App.    | Date     | 0     | Initial release | HO | 14Jun01      | 1 | Edited text |  | 08Apr11 | 2 | Changed footer note. Added confidential note<br>Modified Title box & Rev. Table. | TDH | 03Jun13 | <table border="1" style="width: 100%; border-collapse: collapse;"> <tr> <th style="width: 50%;">APPROVALS</th> <th style="width: 50%;">DATE</th> </tr> <tr> <td>DRN MW</td> <td>13MAY13</td> </tr> <tr> <td>CHKD TDH</td> <td>21MAY13</td> </tr> <tr> <td>APP EC</td> <td>03JUN13</td> </tr> </table> | APPROVALS | DATE | DRN MW | 13MAY13 | CHKD TDH | 21MAY13 | APP EC | 03JUN13 | <div style="text-align: right; font-weight: bold; font-size: 1.2em; color: red; margin-bottom: 5px;">KAYDEN<sup>®</sup></div> <div style="text-align: center; font-weight: normal; font-size: 1.2em; letter-spacing: 0.2em;">INSTRUMENTS</div> <hr/> <div style="text-align: center;"> <b>TITLE</b><br/> <b>Parts List - CLASSIC 810 Series</b><br/> <b>1 1/4" MNPT; 1.2", 2", 3", 4", 6", 9", 12" &amp; 18" 'U'</b><br/> <b>Remote Sensor Assembly</b> </div> <hr/> <table style="width: 100%; border: none;"> <tr> <td style="width: 15%;">SIZE<br/>A3</td> <td style="width: 55%;">DWG NO.   <b>D15-810-RAFXXX-4</b></td> <td style="width: 10%; text-align: center;">REV<br/><b>2</b></td> </tr> <tr> <td colspan="2">SCALE NTS</td> <td style="text-align: right;">SHEET 2 OF 4</td> </tr> </table> | SIZE<br>A3 | DWG NO. <b>D15-810-RAFXXX-4</b> | REV<br><b>2</b> | SCALE NTS |  | SHEET 2 OF 4 |
|---|--|-----------------|---------|----------|-------|-----------------|----|--------------|---|-------------|--|---------|---|--|-----|---------|---|-----------|------|--------|---------|----------|---------|--------|---------|--|------------|---------------------------------|-----------------|-----------|--|--------------|
|   | Rev  | Description     | App.    | Date     |       |                 |    |              |   |             |  |         |   |  |     |         |   |           |      |        |         |          |         |        |         |  |            |                                 |                 |           |  |              |
|   | 0  | Initial release | HO      | 14Jun01  |       |                 |    |              |   |             |  |         |   |  |     |         |   |           |      |        |         |          |         |        |         |  |            |                                 |                 |           |  |              |
|   | 1  | Edited text     |         | 08Apr11  |       |                 |    |              |   |             |  |         |   |  |     |         |   |           |      |        |         |          |         |        |         |  |            |                                 |                 |           |  |              |
| 2   | Changed footer note. Added confidential note<br>Modified Title box & Rev. Table. | TDH             | 03Jun13 |          |       |                 |    |              |   |             |  |         |   |  |     |         |   |           |      |        |         |          |         |        |         |  |            |                                 |                 |           |  |              |
| APPROVALS   | DATE   |                 |         |          |       |                 |    |              |   |             |  |         |   |  |     |         |   |           |      |        |         |          |         |        |         |  |            |                                 |                 |           |  |              |
| DRN MW  | 13MAY13  |                 |         |          |       |                 |    |              |   |             |  |         |   |  |     |         |   |           |      |        |         |          |         |        |         |  |            |                                 |                 |           |  |              |
| CHKD TDH  | 21MAY13  |                 |         |          |       |                 |    |              |   |             |  |         |   |  |     |         |   |           |      |        |         |          |         |        |         |  |            |                                 |                 |           |  |              |
| APP EC  | 03JUN13  |                 |         |          |       |                 |    |              |   |             |  |         |   |  |     |         |   |           |      |        |         |          |         |        |         |  |            |                                 |                 |           |  |              |
| SIZE<br>A3  | DWG NO. <b>D15-810-RAFXXX-4</b>  | REV<br><b>2</b> |         |          |       |                 |    |              |   |             |  |         |   |  |     |         |   |           |      |        |         |          |         |        |         |  |            |                                 |                 |           |  |              |
| SCALE NTS   |  | SHEET 2 OF 4    |         |          |       |                 |    |              |   |             |  |         |   |  |     |         |   |           |      |        |         |          |         |        |         |  |            |                                 |                 |           |  |              |
| All dimensions are shown in inches with cm shown in brackets<br><br>TOLERANCES ARE:<br><table style="width: 100%; border: none;"> <tr> <td style="width: 50%;">DECIMALS</td> <td style="width: 50%;">ANGLES</td> </tr> <tr> <td>.X ± 0.1</td> <td>±0.5°</td> </tr> <tr> <td>.XX ± 0.02</td> <td></td> </tr> <tr> <td>.XXX ± 0.007</td> <td></td> </tr> </table>   |  | DECIMALS        | ANGLES  | .X ± 0.1 | ±0.5° | .XX ± 0.02      |    | .XXX ± 0.007 |   |             |  |         |   |  |     |         |   |           |      |        |         |          |         |        |         |  |            |                                 |                 |           |  |              |
| DECIMALS  | ANGLES   |                 |         |          |       |                 |    |              |   |             |  |         |   |  |     |         |   |           |      |        |         |          |         |        |         |  |            |                                 |                 |           |  |              |
| .X ± 0.1  | ±0.5°  |                 |         |          |       |                 |    |              |   |             |  |         |   |  |     |         |   |           |      |        |         |          |         |        |         |  |            |                                 |                 |           |  |              |
| .XX ± 0.02  |  |                 |         |          |       |                 |    |              |   |             |  |         |   |  |     |         |   |           |      |        |         |          |         |        |         |  |            |                                 |                 |           |  |              |
| .XXX ± 0.007  |  |                 |         |          |       |                 |    |              |   |             |  |         |   |  |     |         |   |           |      |        |         |          |         |        |         |  |            |                                 |                 |           |  |              |
|   |  |                 |         |          |       |                 |    |              |   |             |  |         |   |  |     |         |   |           |      |        |         |          |         |        |         |  |            |                                 |                 |           |  |              |

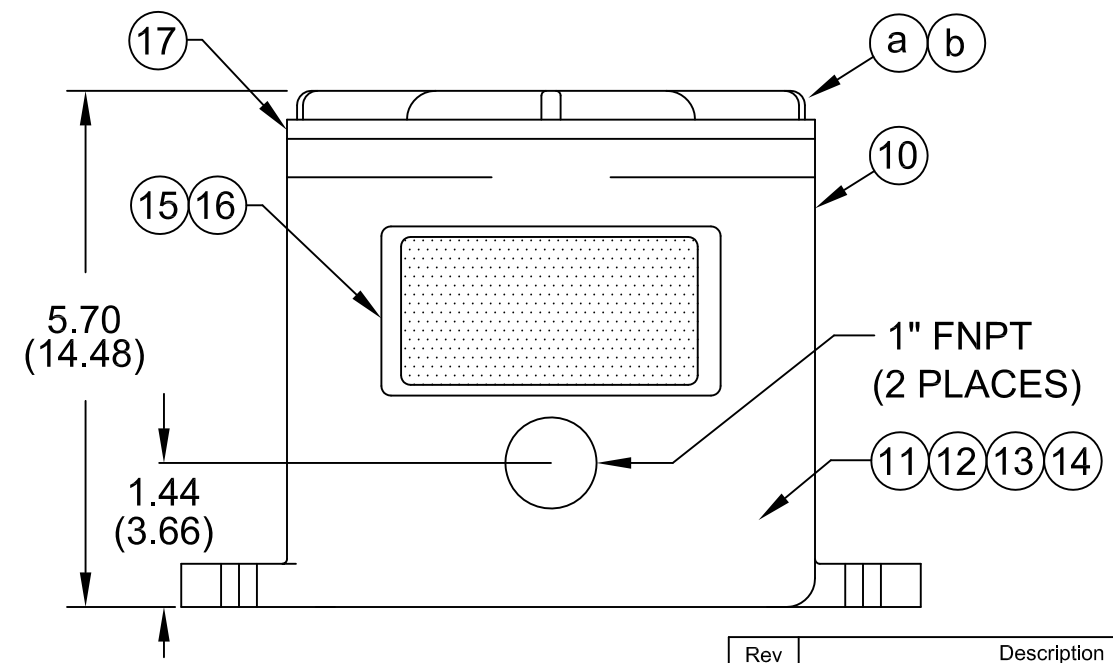
1" FNPT ELECTRONIC CONNECTION

FIELD WIRING

SENSOR ENCLOSURE



1" FNPT ELECTRICAL CONNECTION



Information contained in this document is confidential and proprietary information of Telematic Controls Inc. This document may not be reproduced or distributed for any reason without express written permission of Telematic Controls Inc. All rights of design, invention and copyright are reserved.

| APPROVALS | DATE    |
|-----------|---------|
| DRN MW    | 13MAY13 |
| CHKD EC   | 21MAY13 |
| APP TDH   | 03JUN13 |

**KAYDEN**<sup>®</sup>  
INSTRUMENTS

All dimensions are shown in inches with cm shown in brackets

TOLERANCES ARE:

| DECIMALS     | ANGLES |
|--------------|--------|
| .X ± 0.1     | ±0.5°  |
| .XX ± 0.02   |        |
| .XXX ± 0.007 |        |

TITLE: CLASSIC Series Remote Electronics Flameproof Enclosure (CSA)


|           |                         |                          |
|-----------|-------------------------|--------------------------|
| SIZE A3   | DWG NO. 7730-0000-1-CSA | REV 0                    |
| SCALE NTS |                         | SHEET 3 OF 4 (or 4 OF 5) |

| Rev | Description     | App. | Date    |
|-----|-----------------|------|---------|
| 0   | Initial release | TDH  | 03Jun13 |
|     |                 |      |         |
|     |                 |      |         |
|     |                 |      |         |
|     |                 |      |         |
|     |                 |      |         |
|     |                 |      |         |

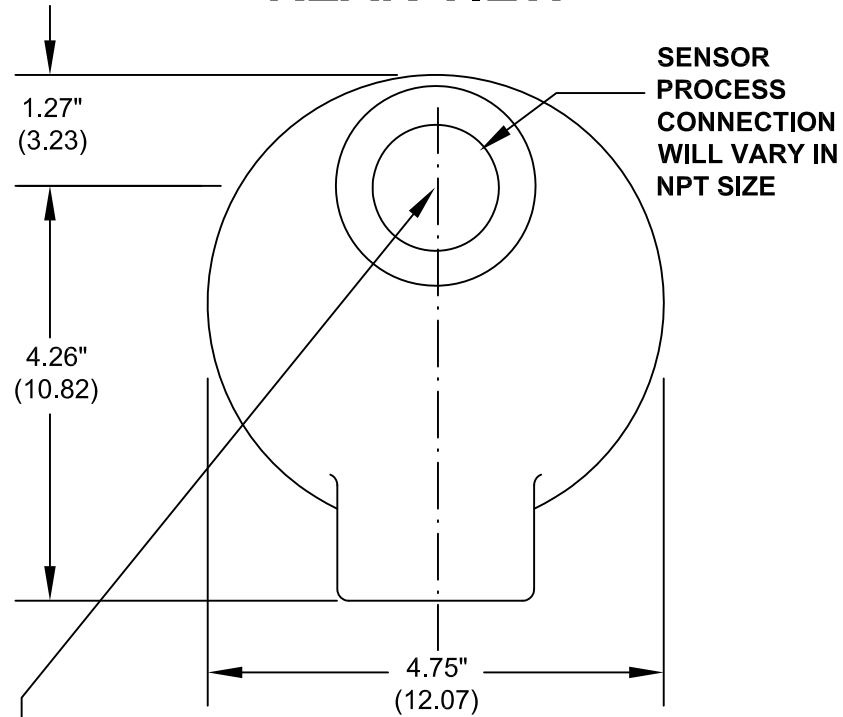
**NOTES:**  
1. Wire according to connection diagram.

| ITEM | DESCRIPTION  | PART NUMBER | QTY |
|------|--|-------------|-----|
| 10   | Flameproof Remote Enclosure                            | 1409-1201   | 1   |
| a    | <input type="checkbox"/> Glass Lens Cover - Flameproof | 1409-1208   | 1   |
| b    | <input type="checkbox"/> Blind Cover - Flameproof      | 1409-1207   | 1   |
| 11   | Terminal Assembly                                      | 2511-0012   | 1   |
| 12   | Ground Screw   | 2540-0023   | 1   |
| 13   | CLASSIC Electronics Module<br>(12-24 VDC, 115-230 VAC) | L10-800-C-E | 1   |
| 14   | Mounting Screws (316 SS)                               | 2540-0007   | 2   |
| 15   | Nameplate, Foil  | 2400-0007   | 1   |
| 16   | Nameplate, Overlay                                     | 2401-0001   | 1   |
| 17   | Cover Gasket   | 1499-1301   | 1   |
|      |  |             |     |
|      |  |             |     |
|      |  |             |     |
|      |  |             |     |
|      |  |             |     |
|      |  |             |     |
|      |  |             |     |
|      |  |             |     |
|      |  |             |     |
|      |  |             |     |
|      |  |             |     |
|      |  |             |     |
|      |  |             |     |
|      |  |             |     |
|      |  |             |     |
|      |  |             |     |
|      |  |             |     |
|      |  |             |     |

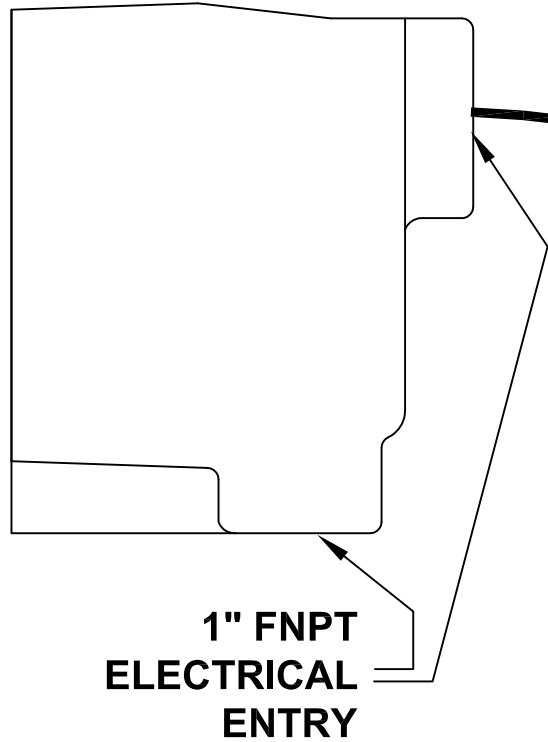
Information contained in this document is confidential and proprietary information of Telematic Controls Inc. This document may not be reproduced or distributed for any reason without express written permission of Telematic Controls Inc. All rights of design, invention and copyright are reserved.

| Rev   | Description                | App.                     | Date                       | <table border="1"> <tr> <th colspan="2">APPROVALS</th> <th>DATE</th> </tr> <tr> <td>DRN</td> <td>MW</td> <td>13MAY13</td> </tr> <tr> <td>CHKD</td> <td>EC</td> <td>21MAY13</td> </tr> <tr> <td>APP</td> <td>TDH</td> <td>03JUN13</td> </tr> </table> | APPROVALS   |          | DATE  | DRN        | MW | 13MAY13      | CHKD | EC | 21MAY13 | APP | TDH | 03JUN13 |
|---|----------------------------|--------------------------|----------------------------|--|---|----------|-------|------------|----|--------------|------|----|---------|-----|-----|---------|
|   | APPROVALS                  |                          | DATE                       |  |   |          |       |            |    |              |      |    |         |     |     |         |
|   | DRN                        | MW                       | 13MAY13                    |  |   |          |       |            |    |              |      |    |         |     |     |         |
|   | CHKD                       | EC                       | 21MAY13                    |  |   |          |       |            |    |              |      |    |         |     |     |         |
| APP   | TDH                        | 03JUN13                  |                            |  |   |          |       |            |    |              |      |    |         |     |     |         |
| Initial release   | TDH                        | 03Jun13                  |                            |  |   |          |       |            |    |              |      |    |         |     |     |         |
|   |                            |                          |                            |  |   |          |       |            |    |              |      |    |         |     |     |         |
|   |                            |                          |                            |  |   |          |       |            |    |              |      |    |         |     |     |         |
| <p>All dimensions are shown in inches with cm shown in brackets</p> <p>TOLERANCES ARE:</p> <table border="1"> <tr> <td>DECIMALS</td> <td>ANGLES</td> </tr> <tr> <td>.X ± 0.1</td> <td>±0.5°</td> </tr> <tr> <td>.XX ± 0.02</td> <td></td> </tr> <tr> <td>.XXX ± 0.007</td> <td></td> </tr> </table> |                            |                          |                            | DECIMALS   | ANGLES  | .X ± 0.1 | ±0.5° | .XX ± 0.02 |    | .XXX ± 0.007 |      |    |         |     |     |         |
| DECIMALS  | ANGLES                     |                          |                            |  |   |          |       |            |    |              |      |    |         |     |     |         |
| .X ± 0.1  | ±0.5°                      |                          |                            |  |   |          |       |            |    |              |      |    |         |     |     |         |
| .XX ± 0.02  |                            |                          |                            |  |   |          |       |            |    |              |      |    |         |     |     |         |
| .XXX ± 0.007  |                            |                          |                            |  |   |          |       |            |    |              |      |    |         |     |     |         |
| <table border="1"> <tr> <td>SIZE<br/>A3</td> <td>DWG NO.<br/>7730-0000-2-CSA</td> <td>REV<br/>0</td> </tr> </table>   |                            | SIZE<br>A3               | DWG NO.<br>7730-0000-2-CSA | REV<br>0   |  <p><b>Parts List - CLASSIC Series Remote Electronics Flameproof Enclosure (CSA)</b></p> |          |       |            |    |              |      |    |         |     |     |         |
| SIZE<br>A3  | DWG NO.<br>7730-0000-2-CSA | REV<br>0                 |                            |  |   |          |       |            |    |              |      |    |         |     |     |         |
| SCALE NTS   |                            | SHEET 4 OF 4 (or 5 OF 5) |                            |  |   |          |       |            |    |              |      |    |         |     |     |         |

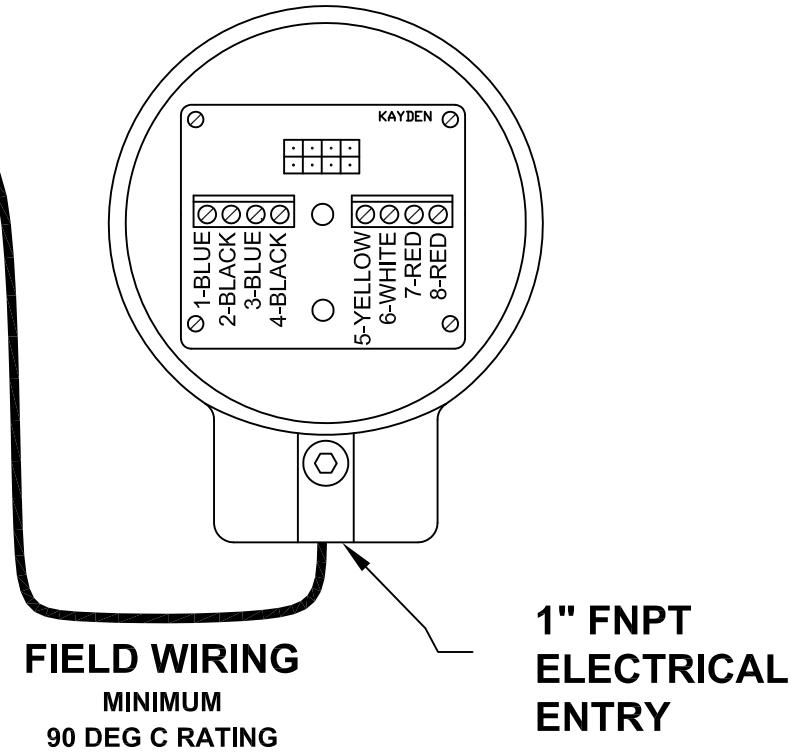
### SENSOR AND REMOTE ENCLOSURE REAR VIEW



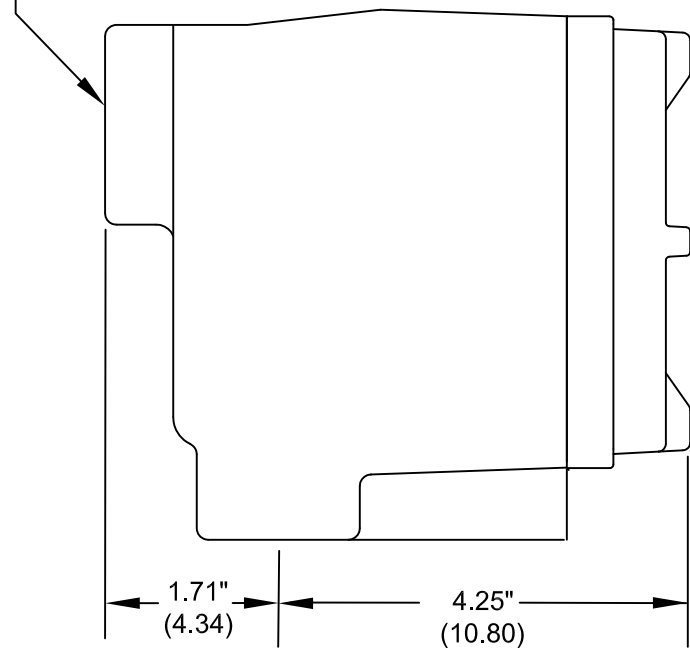
### REMOTE ENCLOSURE SIDE VIEW



### SENSOR ENCLOSURE FRONT VIEW




**MOUNT SENSOR AND REMOTE ENCLOSURE USING FNPT ENTRY**



### SENSOR AND REMOTE ENCLOSURE SIDE VIEW

| Rev | Description     | App. | Date    |
|-----|-----------------|------|---------|
| 0   | Initial release | TDH  | 03Jun13 |
|     |                 |      |         |
|     |                 |      |         |
|     |                 |      |         |
|     |                 |      |         |
|     |                 |      |         |
|     |                 |      |         |

Information contained in this document is confidential and proprietary information of Telematic Controls Inc. This document may not be reproduced or distributed for any reason without express written permission of Telematic Controls Inc. All rights of design, invention and copyright are reserved.

| APPROVALS  |         | DATE           |  |
|--|---------|----------------|---|
| DRN  | MW      | 13MAY13        |   |
| CHKD   | EC      | 21MAY13        |   |
| APP  | TDH     | 03JUN13        |   |
| All dimensions are shown in inches with cm shown in brackets<br>TOLERANCES ARE:<br>DECIMALS      ANGLES<br>.X ± 0.1            ±0.5°<br>.XX ± 0.02<br>.XXX ± 0.007 |         |                | <b>TITLE</b><br>CLASSIC Series<br>Sensor and Remote<br>Flameproof Enclosure (FM)      |
| SIZE<br>A3   | DWG NO. | 7730-0000-1-FM | REV<br>0  |
| SCALE NTS  |         | SHEET 1 OF 1   |   |

**NOTES:**  
1. Wire sensor to remote according to connection diagram.