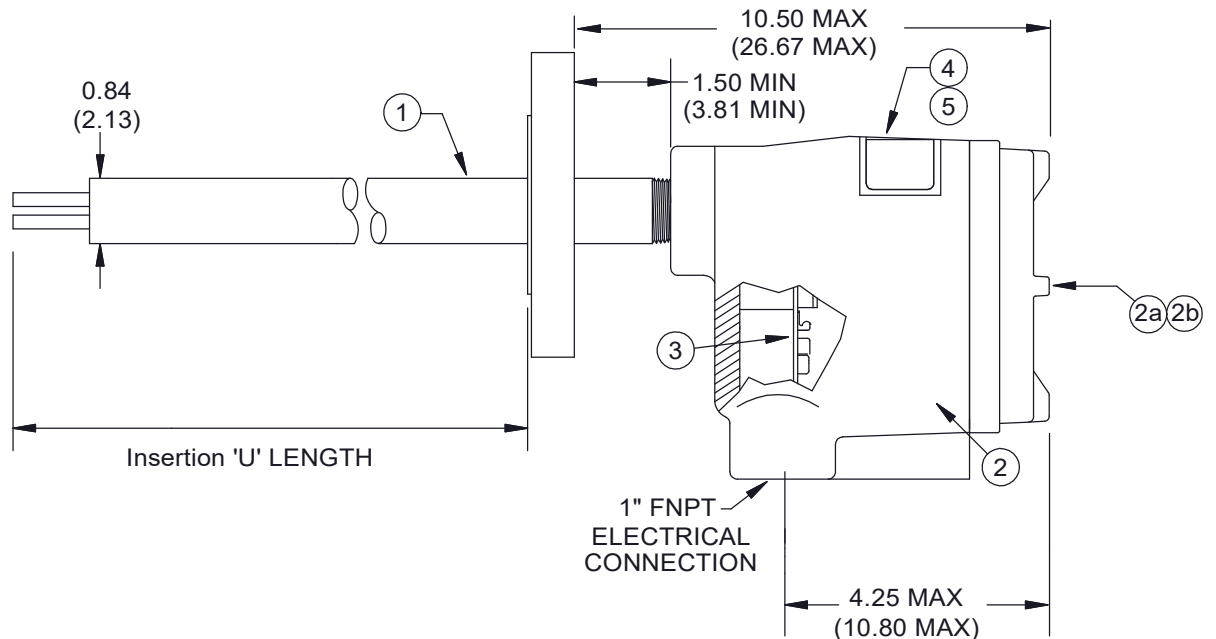
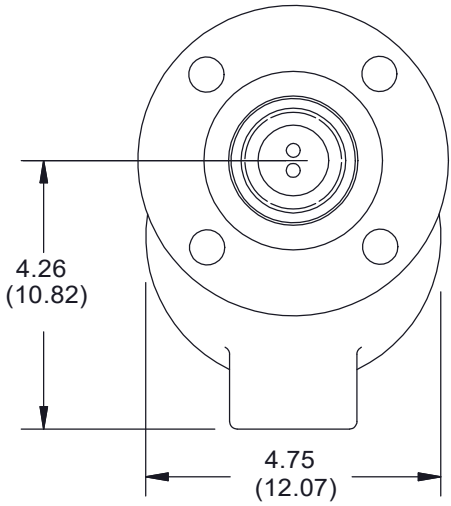


8 7 6 5 4 3 2 1

REVISIONS				
ZONE	REV.	DESCRIPTION	DATE	APPROVED
All	0	Initial Release	20Jun01	Chidley
	1	Update Gland Dim.	08Apr11	
	2	Changed footer note. Modified confidential note. Modified Title box & Rev. Table. Modified dimmensions. Added Bubble 1.	03Jun13	TDH
C5	3	Changed dimmension from 1.05 to 0.84	21Jun21	BT



**NOTES:**

1. This drawing is a reference document only.

UNLESS OTHERWISE SPECIFIED:		NAME	DATE
DIMENSIONS ARE IN INCHES TOLERANCES: ANGULAR: 0.5° ONE PLACE DECIMAL ±0.1 TWO PLACE DECIMAL ±0.02 THREE PLACE DECIMAL ±0.007	DRAWN	MW	16MAY13
	CHECKED	EC	21MAY13
	ENG APPR.	TDH	03JUN13
INTERPRET GEOMETRIC TOLERANCING PER:			
MATERIAL	COMMENTS:		
FINISH			
DO NOT SCALE DRAWING			



TITLE:  
**CLASSIC 812 - Flanged Series**  
Remote Sensor Assembly  
Mounting Drawing

SIZE	DWG. NO.	REV
<b>B</b>	D15-812-RAAXXX-RE	3


8 7 6 5 4 3 2 1

8 7 6 5 4 3 2 1

BOM			
ITEM	DESCRIPTION	PART NUMBER	QTY
1	Sensor; Flanged	Custom	1
2	Flameproof Enclosure (1/2" x 1" FNPT) c/w Terminal Assembly	N10-100A-C	1
2a	<input type="checkbox"/> Glass Lens Cover - Flameproof	M10-1G00	1
2b	<input checked="" type="checkbox"/> Blind Cover - Flameproof	M10-1B00	1
3	Remote Terminal Assembly For Sensor Enclosure(12-24 VDC, 115-230 VAC)	1790-0622-C	1
4	Nameplate, Foil	2400-0002	1
5	Nameplate, Overlay	2401-0001	1

**NOTES:**

- 1. This drawing is a reference document only.

UNLESS OTHERWISE SPECIFIED:  DIMENSIONS ARE IN INCHES  TOLERANCES: ANGULAR: 0.5° ONE PLACE DECIMAL ±0.1 TWO PLACE DECIMAL ±0.02 THREE PLACE DECIMAL ±0.007  INTERPRET GEOMETRIC TOLERANCING PER:  MATERIAL  FINISH  DO NOT SCALE DRAWING		NAME	DATE	
	DRAWN	MW	16MAY13	
	CHECKED	EC	21MAY13	
	ENG APPR.	TDH	03JUN13	
	COMMENTS:		TITLE:  <b>Parts List - CLASSIC 812 - Flanged Series</b> Remote Sensor Assembly	
	SIZE	DWG. NO.	REV	
	<b>B</b>	D15-812-RAAXXX-RE	3	
	SCALE: NTS	WEIGHT:	SHEET 2 OF 2	

8 7 6 5 4 3 2 1