

2600

DOUBLE SHEAR BEAM LOAD CELL

Load cell for silo weighing combining a sturdy design with an easy installation.

Model 2600 - 20 t



Features

- Stainless steel
- Protection IP 67
- Mounting kits available with following properties:
 - o stabilization without tension rods
 - o compensation of thermal dilatations
 - o compensation of default of parallelism
- Cable length: See drawing's table (CL)
- Available options (non exhaustive list):
 - o ATEX intrinsic safety Ex II 1GD Ex ia IIC T6 or T4 Ga Ex ia IIIC T80 C Da
 - o high service temperature (180 °C)
 - o cable output by a connector

Applications

The SENSY's load cell 2600 is perfectly designed to the following applications :

- Silos, tanks or hoppers weighing high capacity (indoor and outdoor)
- Reactors weighing
- Mixers weighing (vibrating)

Capacities

2600 : 10 - (15) - 20 - 30 - 50 - 75 t

Specifications	0.25	0.1	
Accuracy class	0.25 % F.S.	0.1% F.S.	-
Combined error	< ± 0.25	< ± 0.1	% F.S.
Linearity error	< ± 0.25	< ± 0.1	% F.S.
Repeatability error	< ± 0.1	< ± 0.03	% F.S.
Creep error over 30 min.	< ± 0.1	< ± 0.06	% F.S.
Zero shift after loading	< ± 0.025	< ± 0.015	% F.S.
Reference temperature	23	23	°C
Nominal temperature range	-10...+45	-10...+45	°C
Service temperature range	-30...+70	-30...+70	°C
Storage temperature range	-50...+85	-50...+85	°C
Temperature coefficient of the sensitivity	< ± 0.05	< ± 0.05	% F.S./10 °C
Temperature coefficient of zero signal	< ± 0.035	< ± 0.035	% F.S./10 °C
Zero balance	± 0.02	± 0.02	mV/V
Sensitivity tolerance	< ± 0.3	< ± 0.3	%
Input resistance	352 ± 2	352 ± 2	Ohm
Output resistance	352 ± 2	352 ± 2	Ohm
Insulation resistance (50V)	> 5000	> 5000	Megaohm
Reference excitation voltage	10	10	VDC
Nominal range of excitation voltage	3..12	3..12	VDC
Nominal sensitivity	1.5	1.5	mV/V
Safe load limit	130	130	% F.S.
Breaking load	>300	>300	% F.S.
Static lateral force limit	50	50	% F.S.
Permissible dynamic loading	50	50	% F.S.

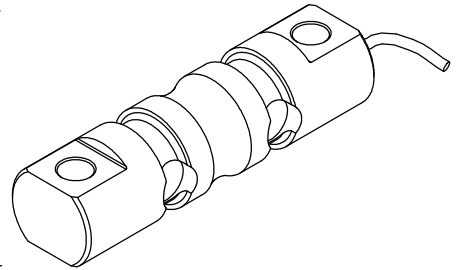
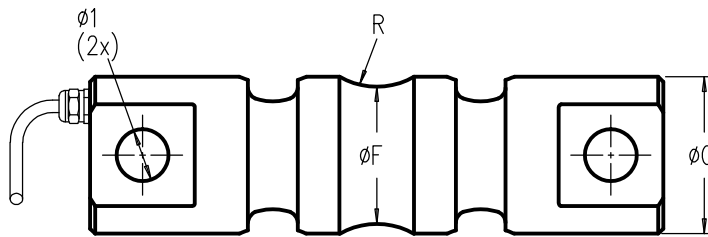
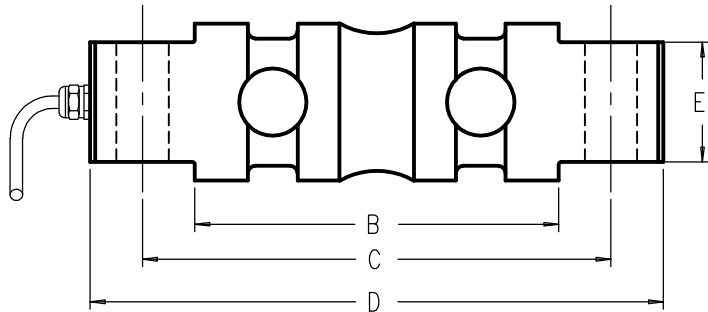
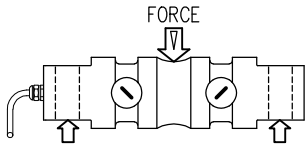
F.S.: full scale - Specifications subject to change without notice

LOAD CELLS

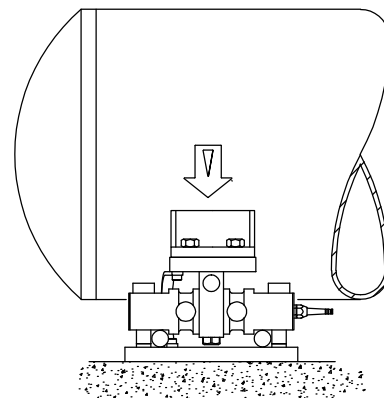
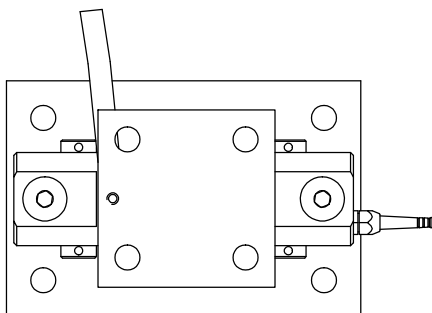
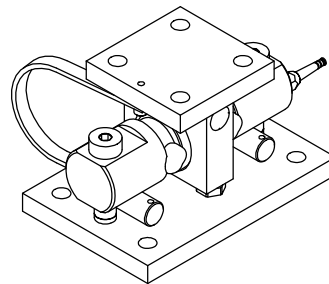
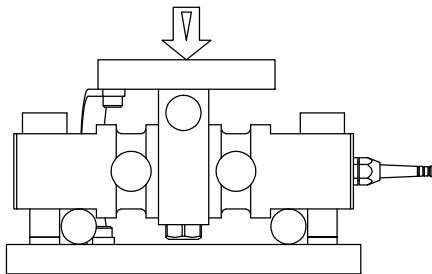
model 2600 stainless steel
 model 2605 alloy steel

DOUBLE SHEAR BEAM

Range 10 – 75t. IP67
 Cable length : See table (CL)



CAPACITIES	B	C	D	E	φF	φG	R	φ1	CL	Weight
10 – 20 t	118	188	230	51	55	63	30	21	10 m	4.3 kg.
30 t	130	220	270	55	67	74	50	24.5	12 m	7 kg.
50 t.	134	240	290	70	80	89	40	31		11 kg.
75 t.	222	300	360	88	103	109	45	34	20 m	24.6 kg.



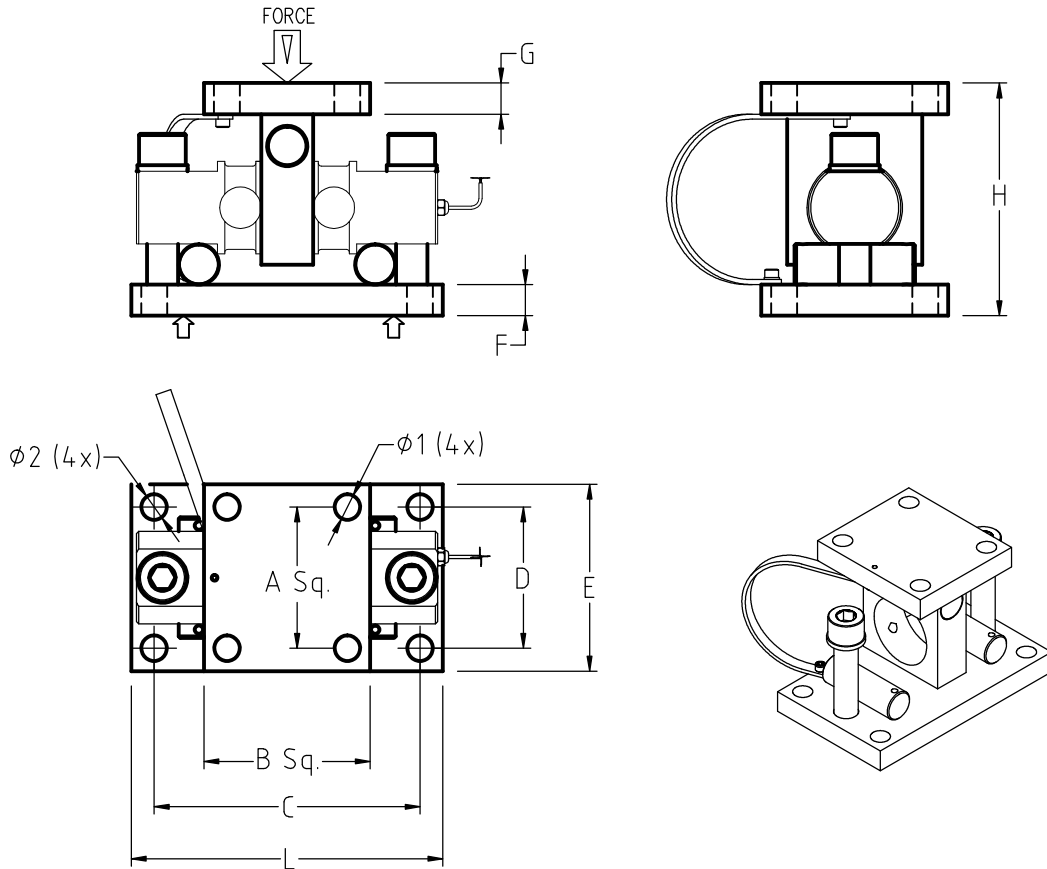
ACCESSORIES

model I2600 stainless steel

model I2605 coated steel

EASY MOUNT FOR MODEL 2600

Range 10–75t.



CAPACITIES	A	B	C	D	E	F	G	H	L	$\phi 1$	$\phi 2$	Weight
10 – 20 t	80	120	190	110	150	20	20	145	230	17	17	10.5 kg
30 t	110	150	240	110	150	25	25	184	280	21	21	16.5 kg
50 t.	136	180	256	136	180	30	30	224	300	25	25	25 kg
75 t.	180	250	440	160	250	40	30	327	520	23	34	86 kg

