

Differential Pressure Gauges Copper Alloy Wetted Parts In-Line Connections Bourdon Tube Series • Type 7X1.12

WIKA Data Sheet 7X1.12

Applications

Measurement of pressure differential or duplex measurement of 2 applied pressures. Suitable for all gaseous and liquid media that will not obstruct the pressure system or attack copper alloy parts.

Features

Sizes

4" & 6" (100 mm & 160 mm)

Accuracy

± 1.5% of span

Ranges (All ranges not stocked)

Vacuum 30"Hg

Pressure from 10 psi to 15,000 psi

Scale range must be selected based on the highest static pressure measured. The pressure differential to be indicated should be no less than 1/6 of the full scale range. When ordering please state both the static pressure applied and the differential to be indicated.

Working Range

Steady: full scale value

Fluctuating: 0.9 x of full scale value

Short time: 1.3 x full scale value

Operating Temperature

Ambient: -4°F to 140°F (-20°C to 60°C)

Media: max. 140°F (+60°C) - 10 psi thru 1000 psi
max. 212°F (+100°C) - 1500 psi thru 15,000 psi

Temperature Error

Additional error when temperature changes from reference temperature of 68°F (20°C) ±0.4% for every 18°F (10°C) rising or falling. Percentage of span.

Weather Protection

Weather resistant (NEMA 2 / IP 33)

Connection

Material: copper alloy

Lower mount (LM) only

2 x 1/4" or 1/2" NPT

Each side marked with ⊕ or ⊖



7X1.12 Differential Pressure Gauge

Bourdon Tube

10 psi to 1,000 psi C-type

Material: copper alloy

1,500 psi to 15,000 psi helical type

Material: 316 stainless steel

Movement

Copper alloy, wearable parts Argantan

Dial

White aluminum with black lettering

Pointer

Material: aluminum

1 black pointer

1 graduated disk indicator with scale ± 50% of main scale range

Case

Black painted steel

Window

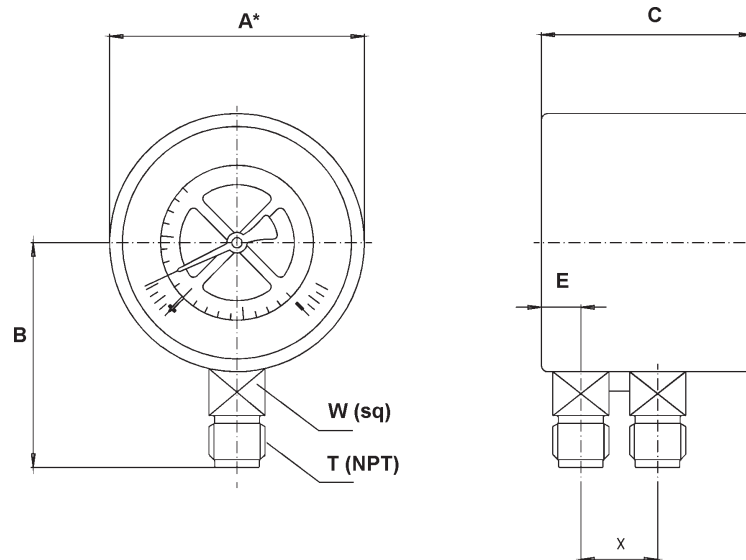
Flat glass

Cover Ring

Black painted steel screw retained

To determine the effects of temperature and response time in a specific application, contact the factory for an **Application Questionnaire**. The information provided will allow WIKA Technical Support to accurately model your application parameters using state-of-the-art computer simulation techniques.

- Order Options** (min. order may apply)
 Duplex gauge with 1 red and 1 black pointer
 Subtracting movement (for single-pointer indication)
 316 SS wetted parts (Type 731.12)
 Liquid filling (4" only) (Type 713.12)
 316SS case, ring, and wetted parts (Type 73X.02)
 Front flange
 Rear flange
 Magnetic or inductive alarm contacts (6" size only)



A* NOMINAL SIZE

| TYPE | WEIGHT | KEY | A* | B | C | E | T | W | X |
|--------|-----------|-----|-----|------|------|------|------|------|----|
| 711.12 | 2.2 lbs. | mm | 100 | 87 | 82 | 15.5 | 1/2" | 22 | 32 |
| 4" | | in | 4 | 3.43 | 3.23 | 0.61 | 0.87 | 1.26 | |
| 711.12 | 3.52 lbs. | mm | 160 | 118 | 86.5 | 15.5 | 1/2" | 22 | 32 |
| 6" | | in | 6 | 4.65 | 3.41 | 0.61 | 0.87 | 1.26 | |

Items in **bold** are available from stock (subject to prior sales).
 For optional items, consult factory for current lead-time.

Options not listed may be available, please consult factory.

Specifications given in this price list represent the state of engineering at the time of printing.
 Modifications may take place and the specified materials may change without prior notice



WIKAI Instrument Corporation
 1000 Wiegand Boulevard
 Lawrenceville, GA 30043-5868
 Tel: 888-WIKA-USA • 770-513-8200
 Fax: 770-338-5118
 E-Mail: info@wika.com
 www.wika.com